



Electrolux
PROFESSIONAL

Floor Drains and Collecting Tanks
Floor Drain with Stainless Steel Grate
and Side Drain - Horizontal outlet
400x1400 mm

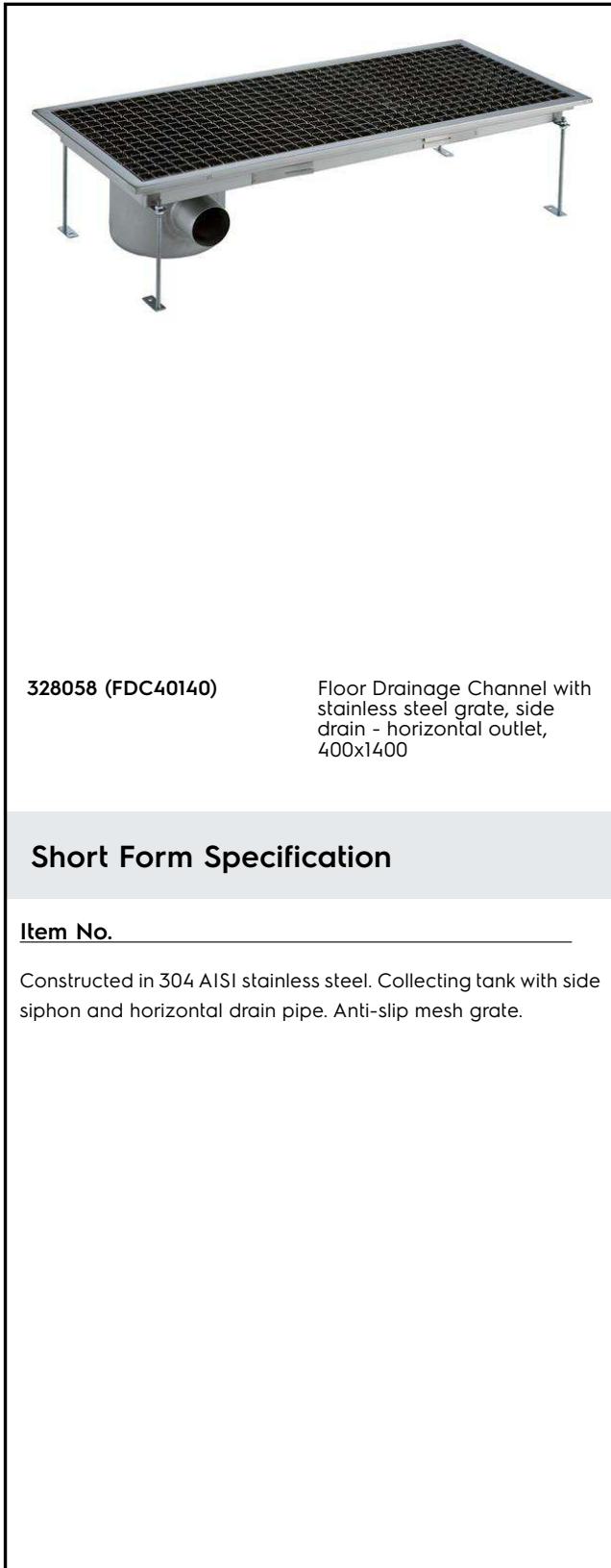
ITEM # _____

MODEL # _____

NAME # _____

SIS # _____

AIA # _____



328058 (FDC40140)

Floor Drainage Channel with stainless steel grate, side drain - horizontal outlet, 400x1400

Short Form Specification

Item No. _____

Constructed in 304 AISI stainless steel. Collecting tank with side siphon and horizontal drain pipe. Anti-slip mesh grate.

Main Features

- Easy to install.
- Anti-odour syphon.
- Removable waste blocking filter.
- Rag bolt for floor fixing.
- Easy to inspect for any possible waste removal action.
- Electrochemical finishing gives grids a bright appearance.
- Ideal for any drain solution, particularly suggested for great amounts of water drained during cleaning operations.
- Collecting tanks with side siphon.

Construction

- Anti-slip mesh 25x25 mm grating, h=25 mm, 1.5 mm in thickness.
- Constructed entirely in 304 AISI stainless steel.
- Adjustable leveling feet.
- Collecting tanks available with horizontal drain pipe.

APPROVAL: _____



Experience the Excellence
www.electroluxprofessional.com

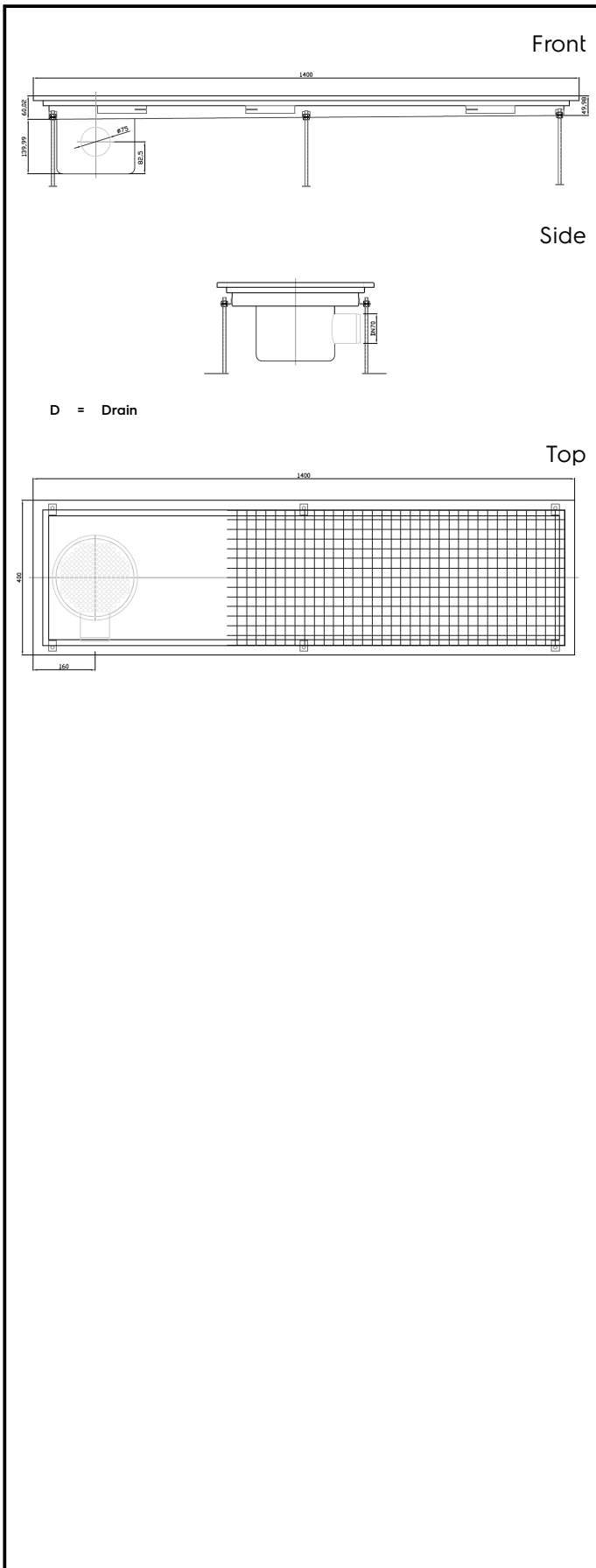


Electrolux
PROFESSIONAL

Floor Drains and Collecting Tanks Floor Drain with Stainless Steel Grate and Side Drain - Horizontal outlet 400x1400 mm

Key Information:

External dimensions, Width:	
328058 (FDC40140)	1400 mm
External dimensions, Depth:	400 mm
External dimensions, Height:	200 mm
Net weight:	25 kg



Floor Drains and Collecting Tanks
Floor Drain with Stainless Steel Grate and Side Drain - Horizontal outlet
400x1400 mm
The company reserves the right to make modifications to the products
without prior notice. All information correct at time of printing.

2024.12.20